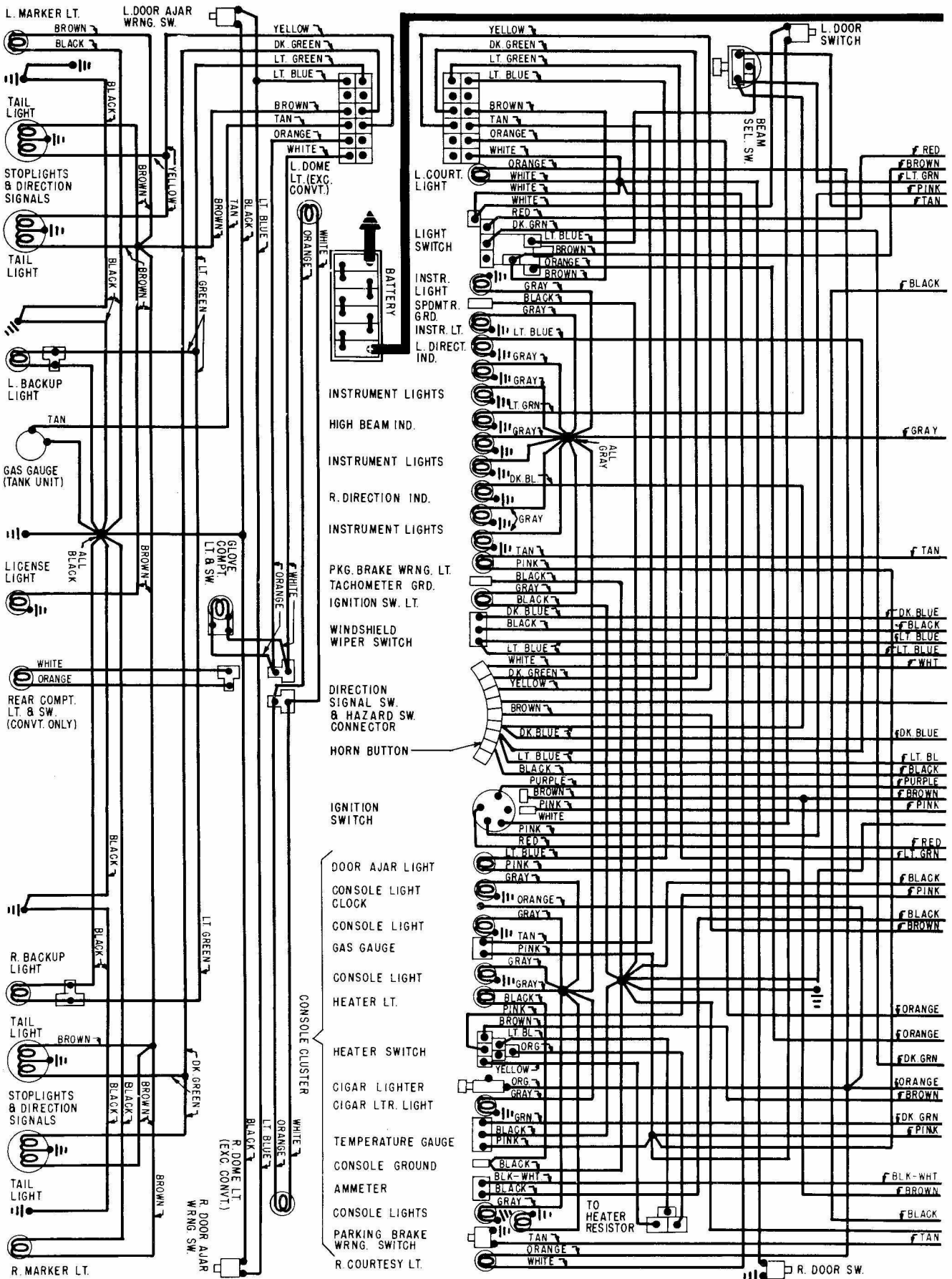
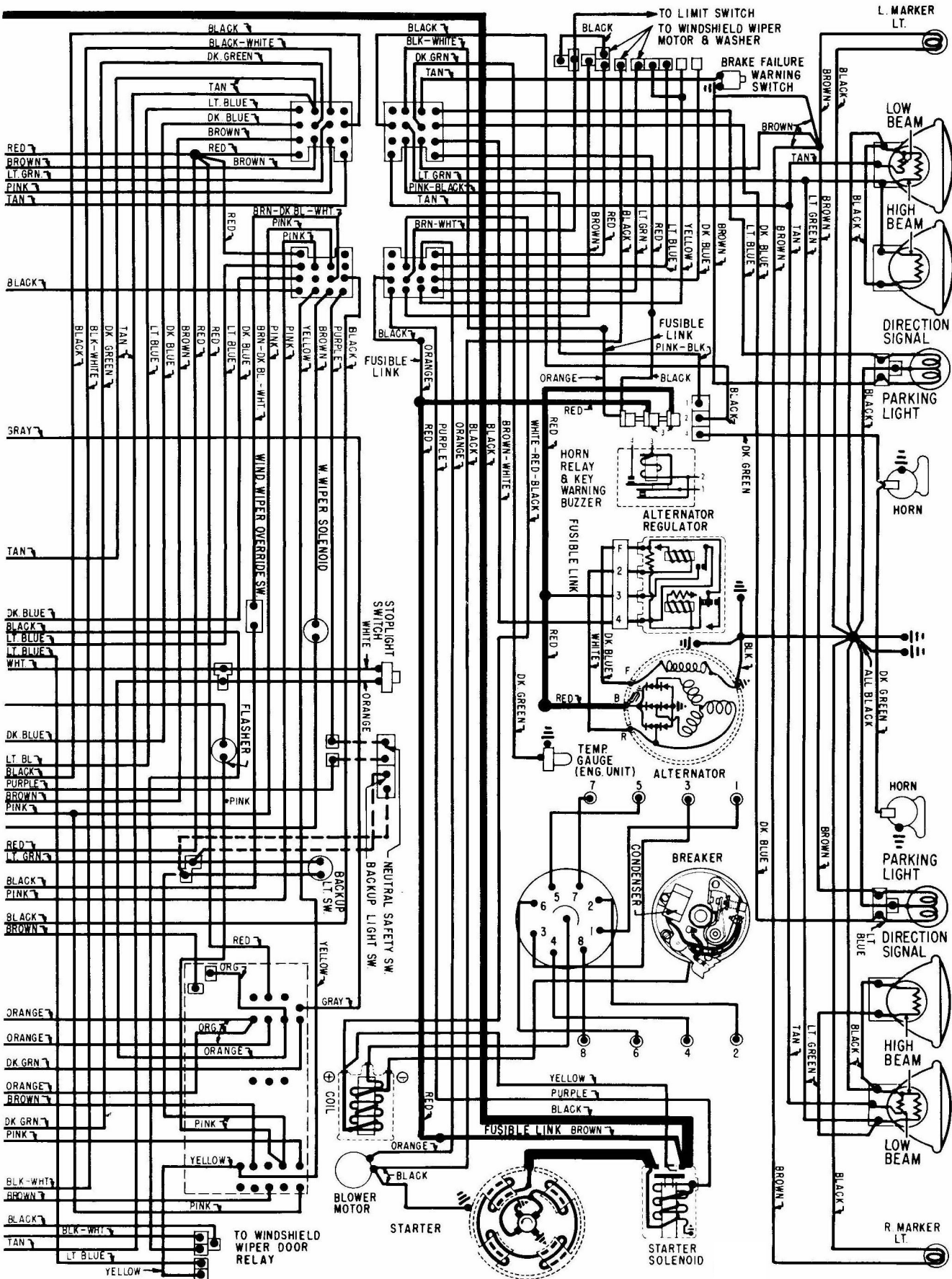


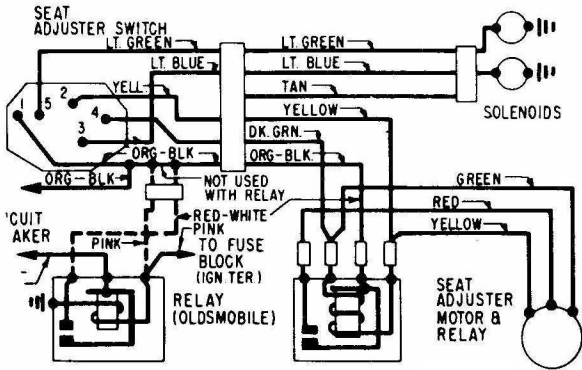
CHEVROLET 1968 CORVETTE



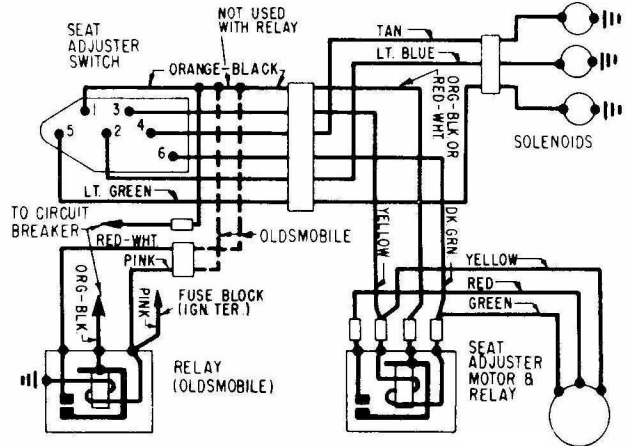
CHEVROLET 1968 CORVETTE



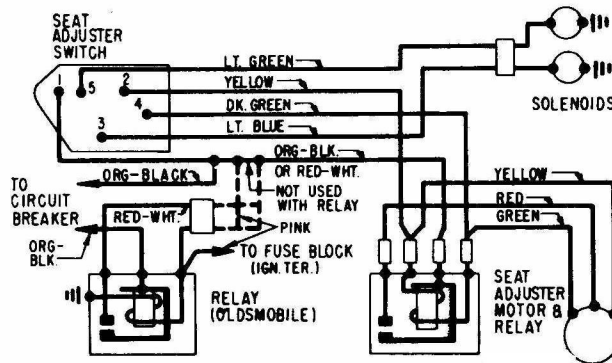
GM POWER SEATS



SWITCH IN ARM REST

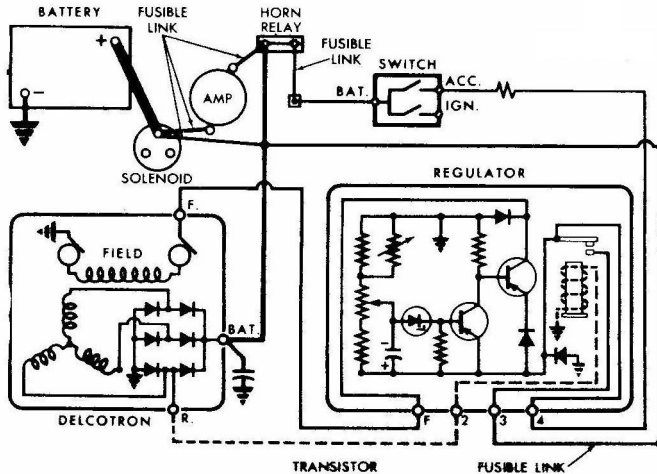


GENERAL MOTORS 6-WAY

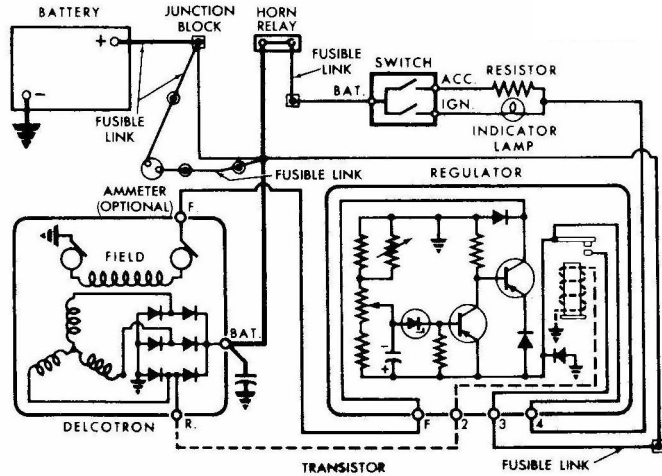


SWITCH IN SEAT SIDE PANEL

CHEVY CORVETTE TRANSISTOR IGNITION 1968



CHEVY TRANSISTOR IGNITION 1968

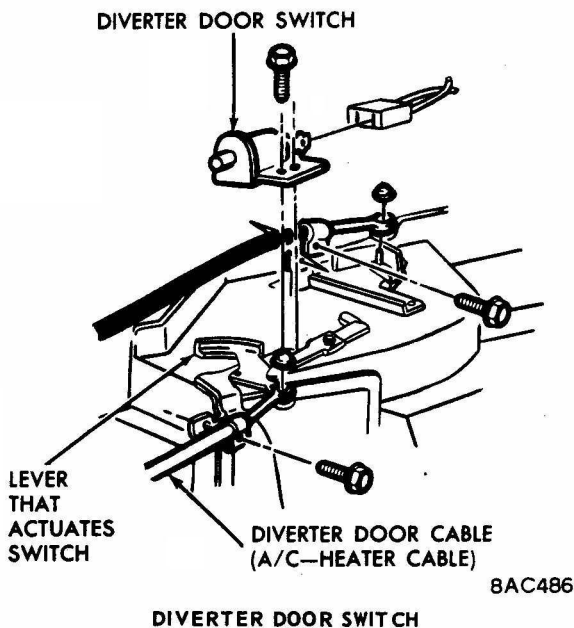


GENERAL MOTORS – AIR CONDITIONER-HEATERS 1968 CORVETTE (Cont.)

Diverter Door Switch - This switch, mounted on distributor case, stops compressor operation when controls are set in heater mode.

Diverter Door Actuator - Door is spring held in bi-level position and is actuated by a double acting type diaphragm vacuum actuator.

Water Shut-Off Actuator - Water shut-off valve is vacuum operated diaphragm which opens valve when temperature wheel moves past cold detent.



VACUUM DIAPHRAGM ACTUATORS

Vacuum Control Switches - Mounted on control assembly at instrument panel and are operated by the thumbwheels through interconnecting linkage.

Air Door Actuators - Doors are spring loaded in one position and are opened or closed when vacuum applied to line. Two vacuum actuators used to control plenum door and inside air door. With no vacuum, plenum door is open and inside air door is closed to provide for operation on outside (fresh) air. When vacuum applied to line, plenum door is closed and inside air door is open to provide for operation on inside (recirculated) air.

CORVETTE VACUUM CONTROL OPERATION

OUTLET VACUUM SWITCH (Right Hand Thumbwheel)			
Thumbwheel Position	Vacuum To Line	Diverter Door Position ①	Diverter Switch
A/C	#2 None	Upper Bi-Metal	Closed Closed
HTR. DE-ICE	#3	Lower	Open

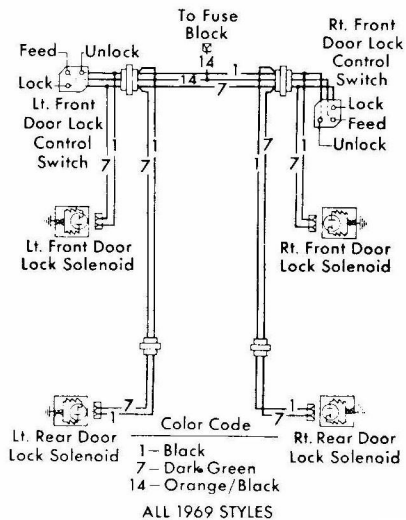
① - Air discharge outlet open.

TEMPERATURE VACUUM SWITCH (Left Hand Thumbwheel)			
Thumbwheel Position	Vacuum To Line	Air Intake ②	Water Valve
OFF	#3	I.A.	Closed
VENT	None	O.A.	Closed
COLD to HOT	#3	I.A.	Closed
	None	O.A.	Closed
	#2	O.A.	Open

② - O.A. - Outside air door open.

I.A. - Inside (recirculated) air door open.

GM DOOR LOCKS 1968



GM HORN RELAY BUZZER 1968

